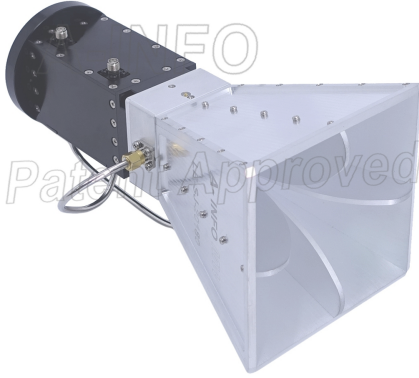


For reference only. See data sheet for the detailed specifications.

Technical Specification



Frequency Range(GHz)	4.0 – 18.0
Gain(dBic)	11 Typ.
Polarization	Dual Circular
Axial Ratio(dB)	2.0 Typ.
	3.0 Max.
3dB Beamwidth(deg)	E Plane: 66 - 23
	H Plane: 64 - 22
Port to Port Isolation(dB)	15 Typ.
VSWR	2.0:1 Max.
Connector	SMA-Female
Power Handling(W CW)	20 Max.
Material	Al
Finish	Chemical Conversion Coating and Anodizing
Size(mm)	107.7 x 107.7 x 224.5
Net Weight(Kg)	0.80 Around

PATENT ID (US)

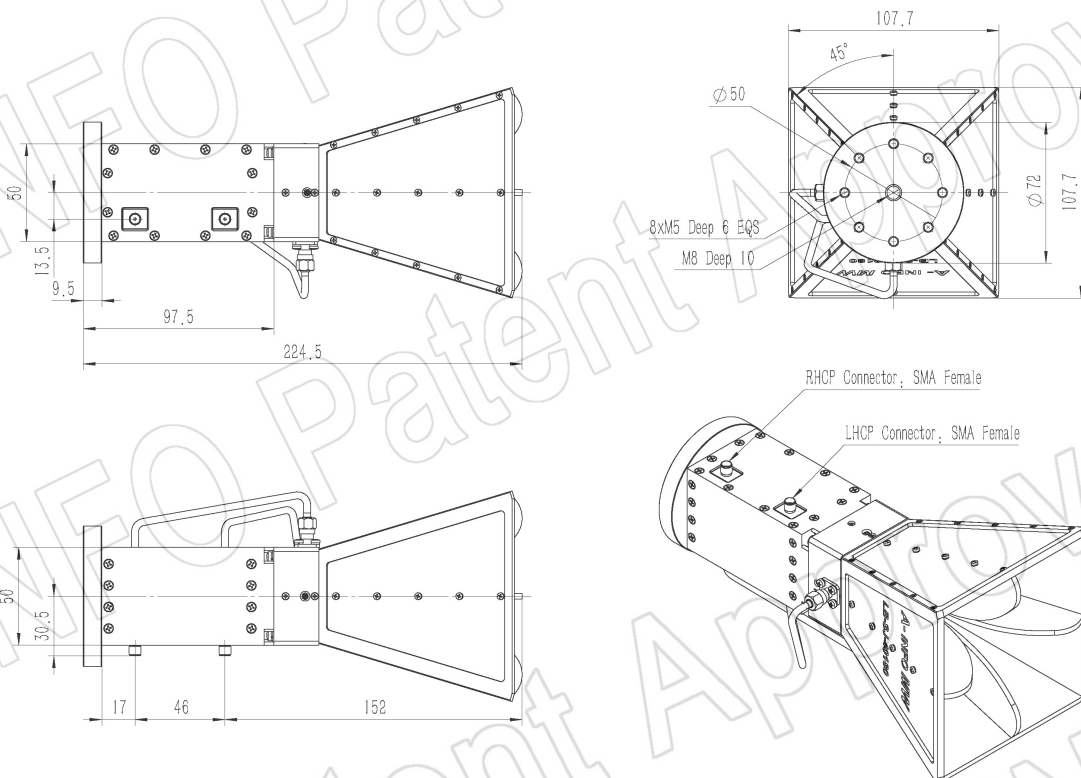
US 11139578

PATENT ID (China)

**ZL201822143668.8, ZL201822143669.2,
ZL201630458384.1, ZL202130737800.2**

Outline Drawing (Size: mm)

SMA-Female Output (P/N: LB-SJ-40180-P03)



AINFO Inc.

China(Beijing):
China(Chengdu):
USA :

Tel: (+86) 10-6266-7326,
Tel: (+86) 28-8519-2786,
Tel: (+1) 949-639-9688,

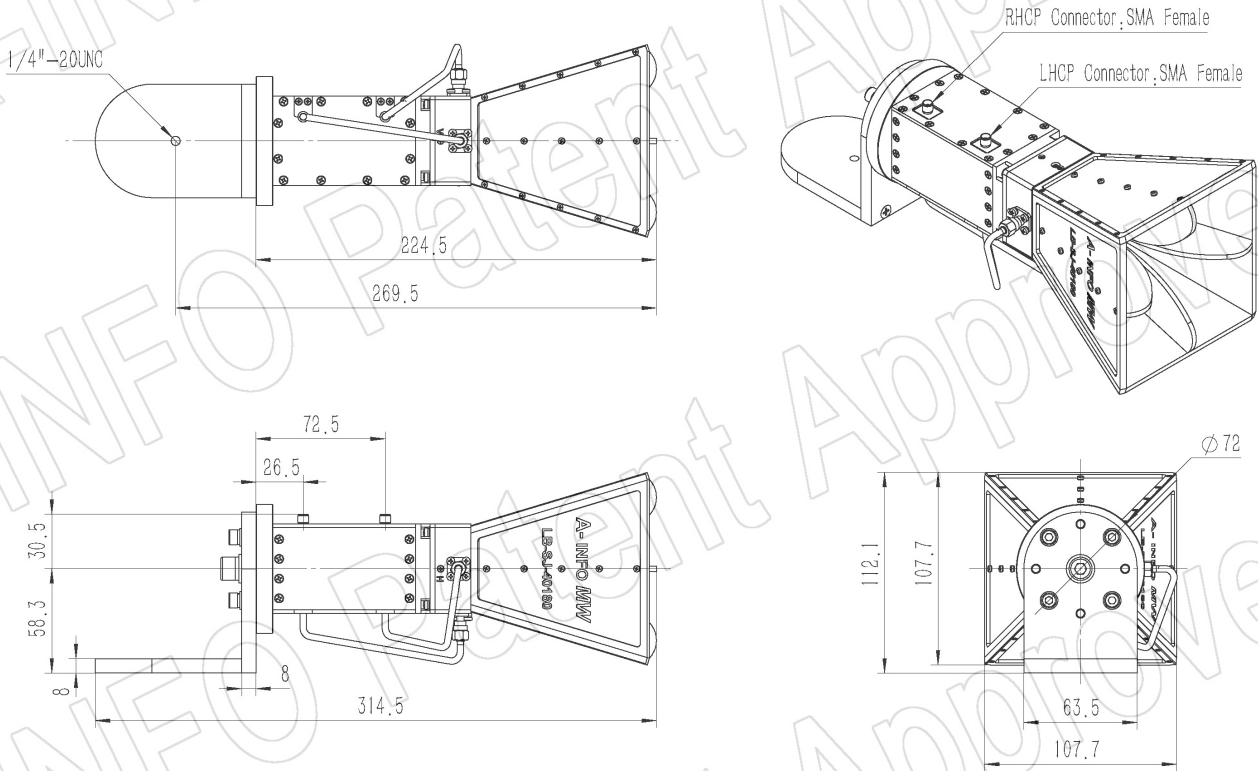
(+86) 10-6266-7327
(+86) 28-8519-3044
(+1) 949-639-9608

Fax: (+86) 10-6266-7379
Fax: (+86) 28-8519-3068
Fax: (+1) 949-639-9670

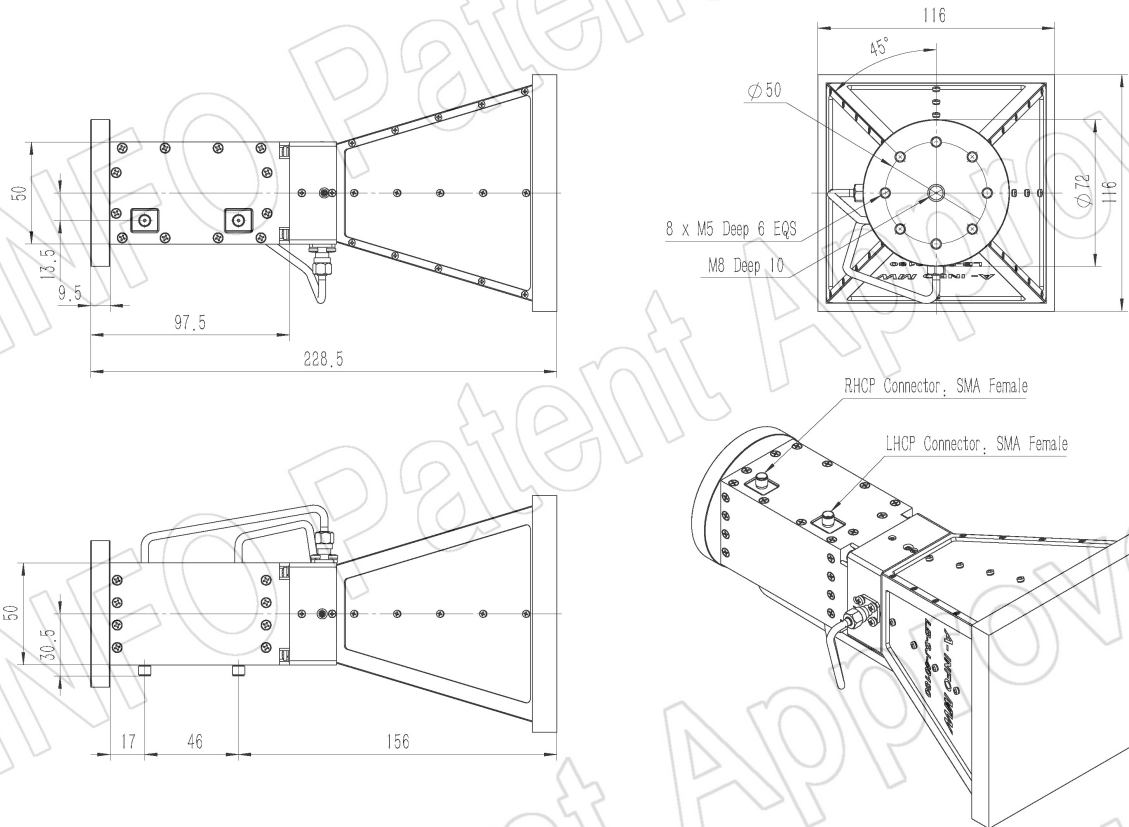
Page 1 of 16

Website: www.ainfoinc.com
Email: sales@ainfoinc.com

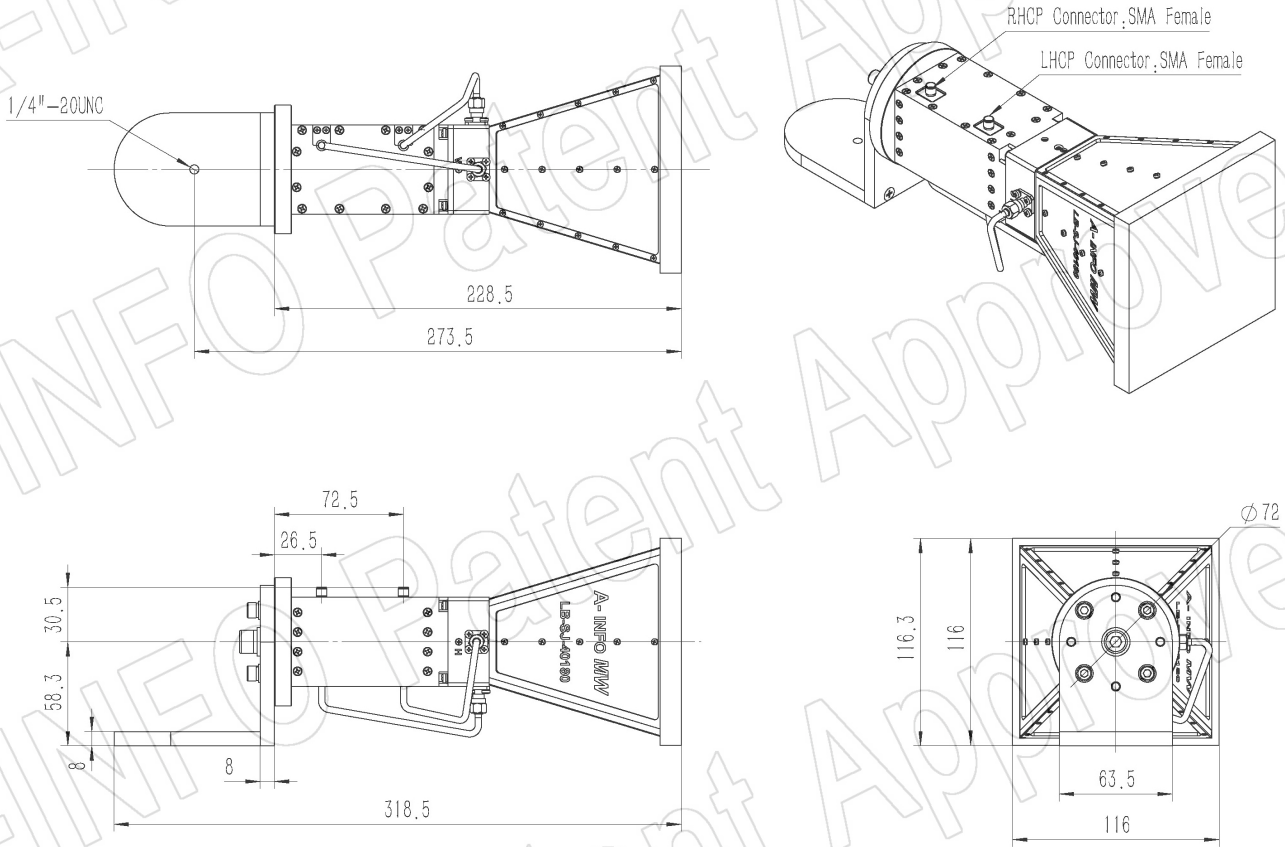
SMA-Female Output with L Type Mounting Bracket (Option, P/N: LB-10180-L)



SMA-Female Output with Radome (Option, P/N: LB-SJ-40180-P03SPO, Outdoor Application)



SMA-Female Output with L Type Mounting Bracket & Radome (Option, P/N: LB-10180-L & LB-SJ-40180-P03SPO, Outdoor Application)



AINFO Inc.

China(Beijing):
China(Chengdu):
USA :

Tel: (+86) 10-6266-7326,
Tel: (+86) 28-8519-2786,
Tel: (+1) 949-639-9688,

(+86) 10-6266-7327
(+86) 28-8519-3044
(+1) 949-639-9608

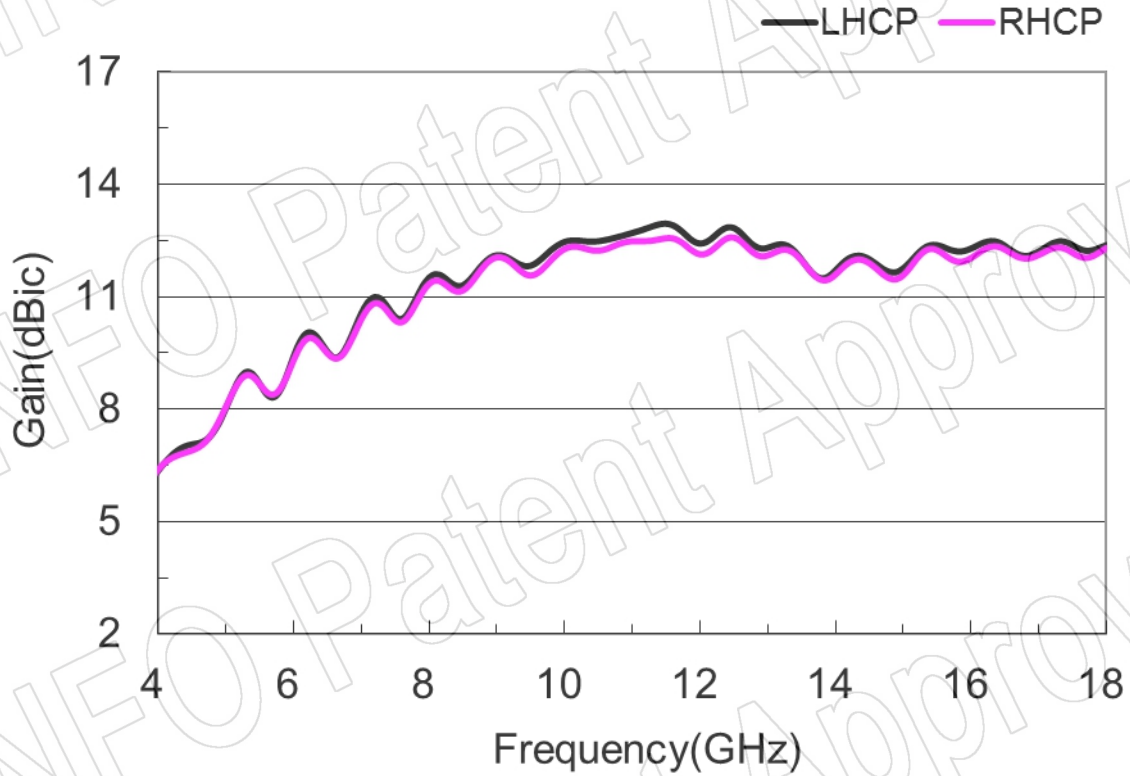
Fax: (+86) 10-6266-7379
Fax: (+86) 28-8519-3068
Fax: (+1) 949-639-9670

Page 3 of 16

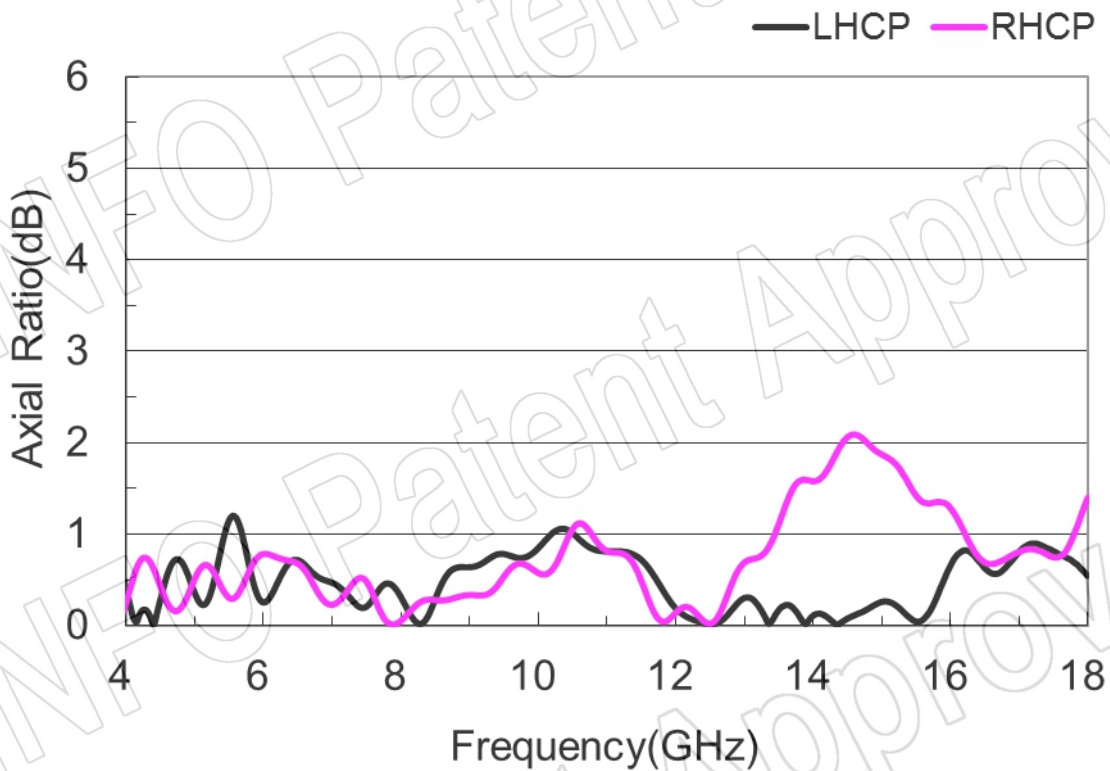
Website: www.ainfoinc.com
Email: sales@ainfoinc.com

Test Results

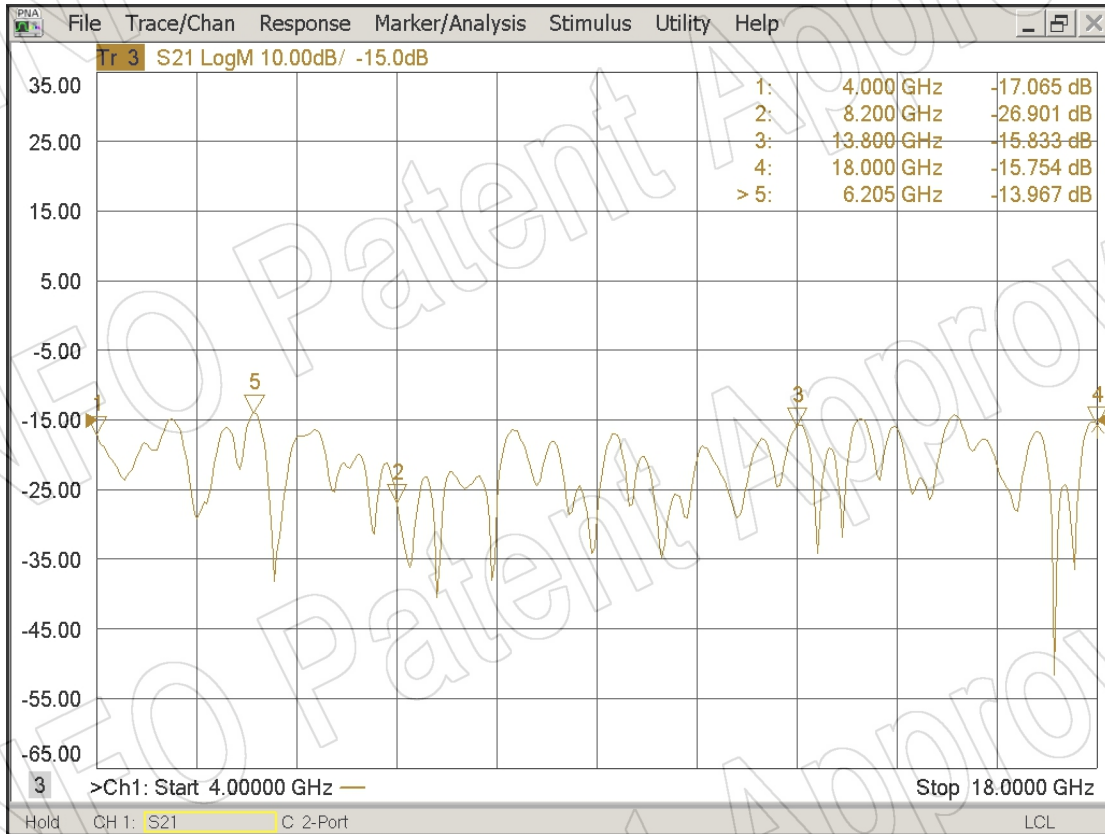
1. Gain



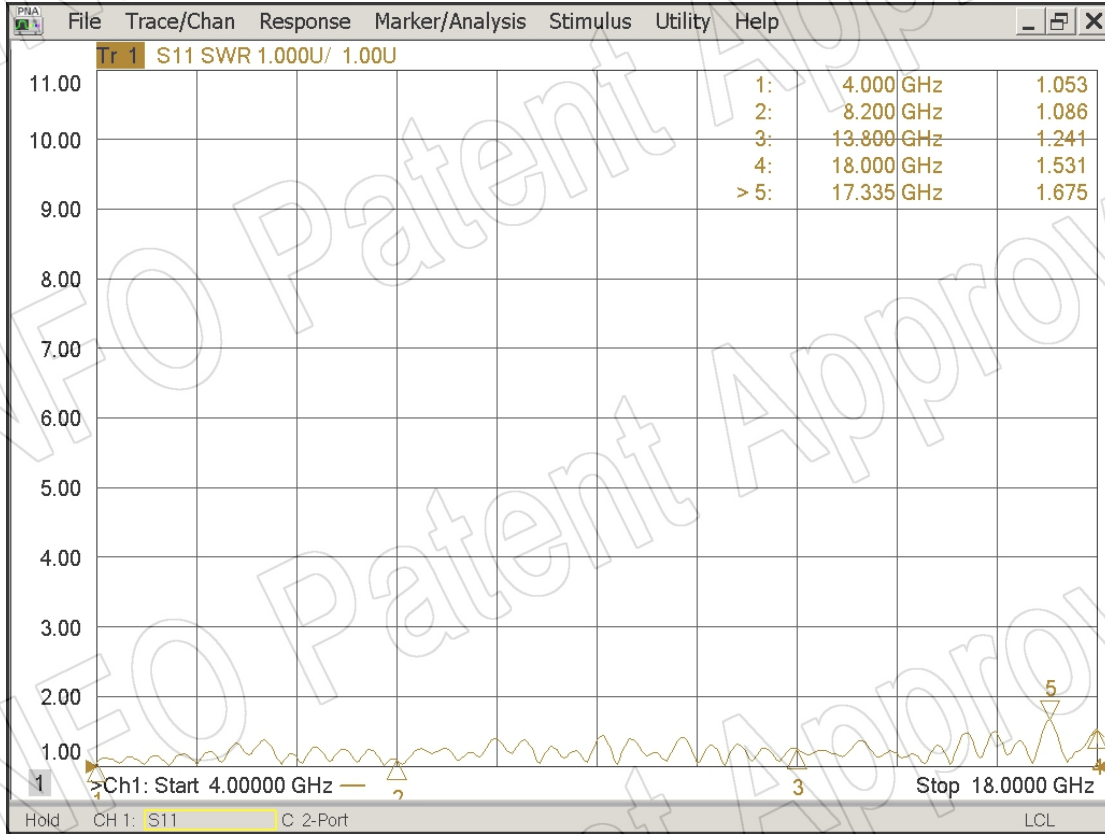
2. Axial Ratio



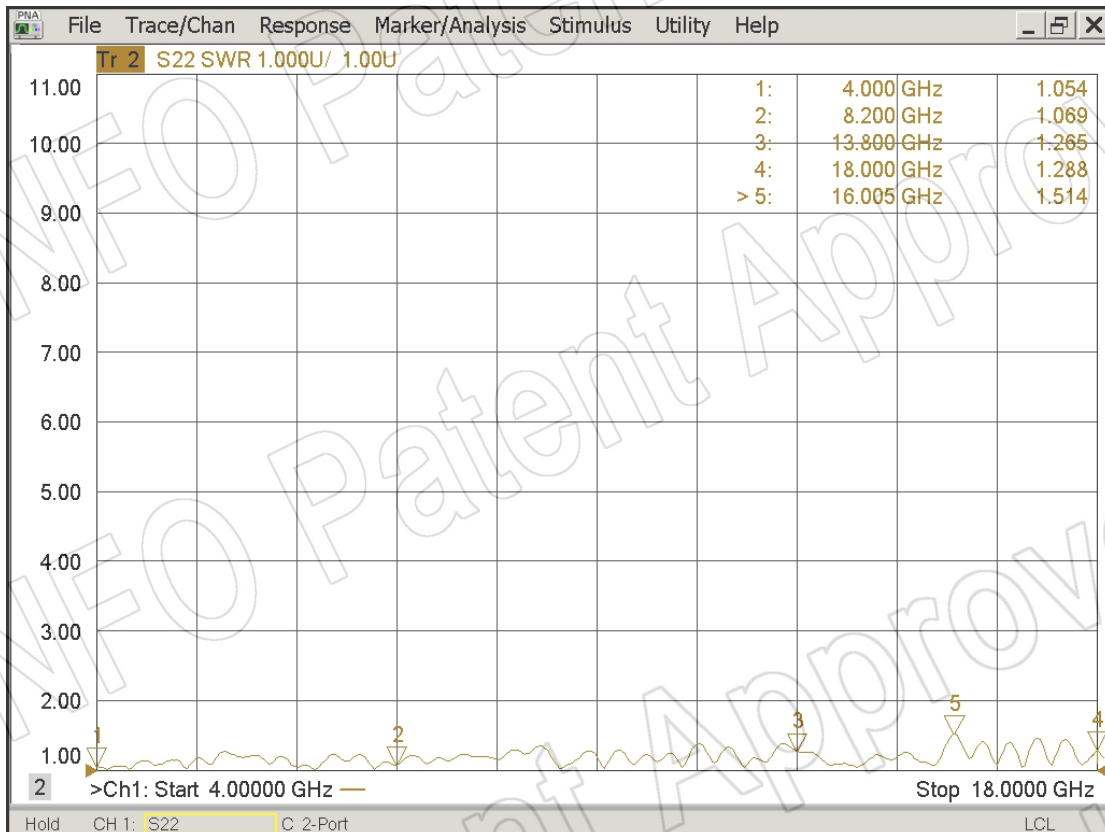
3. Port to Port Isolation



4. VSWR LHCP

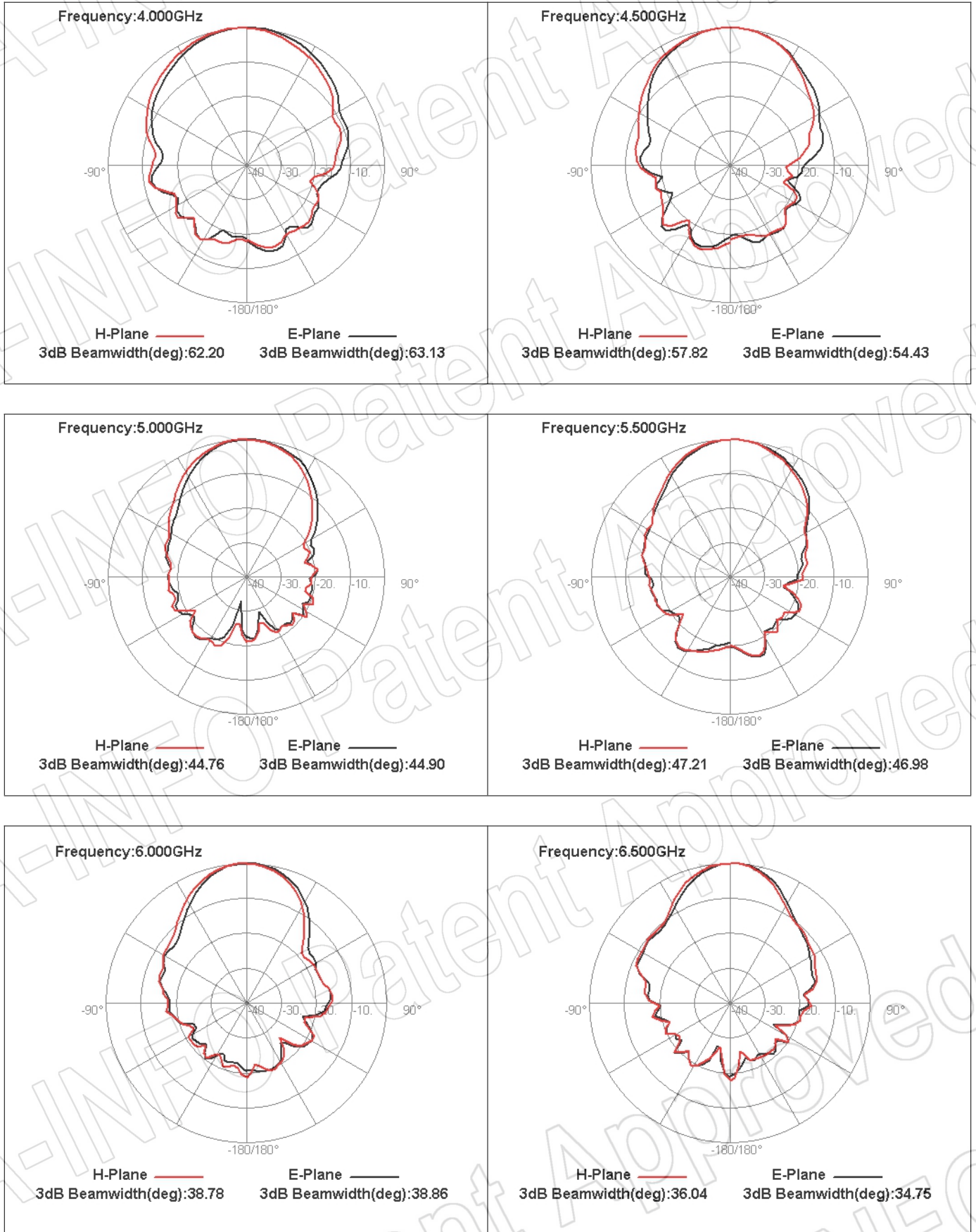


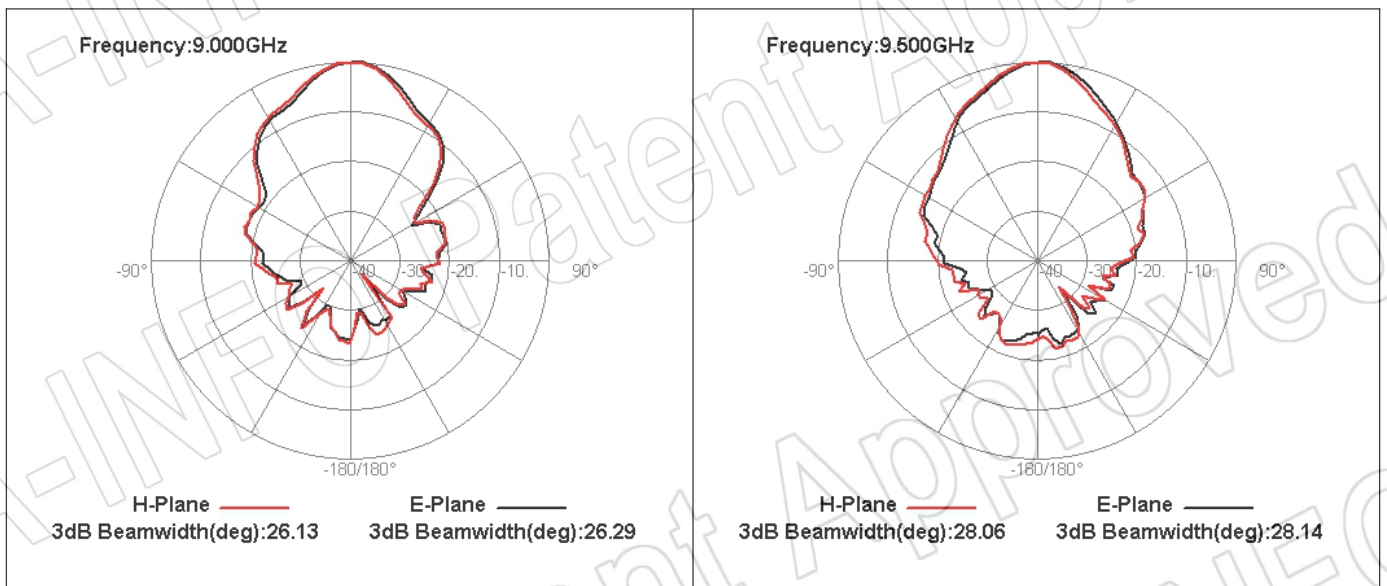
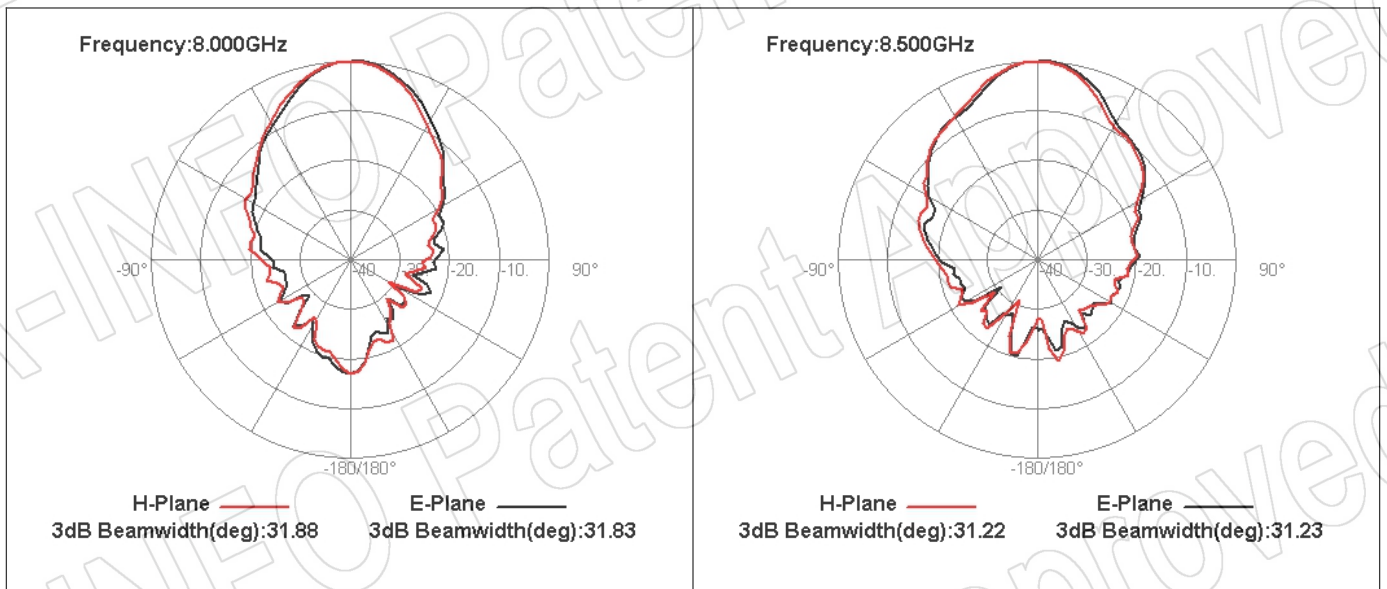
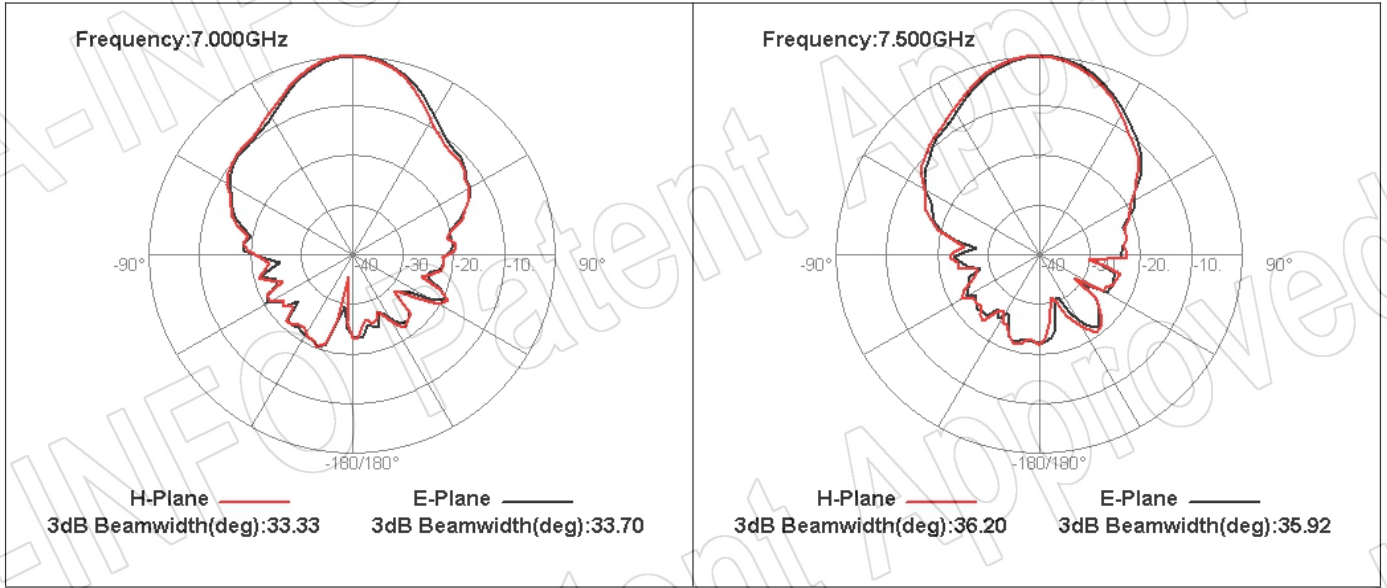
RHCP

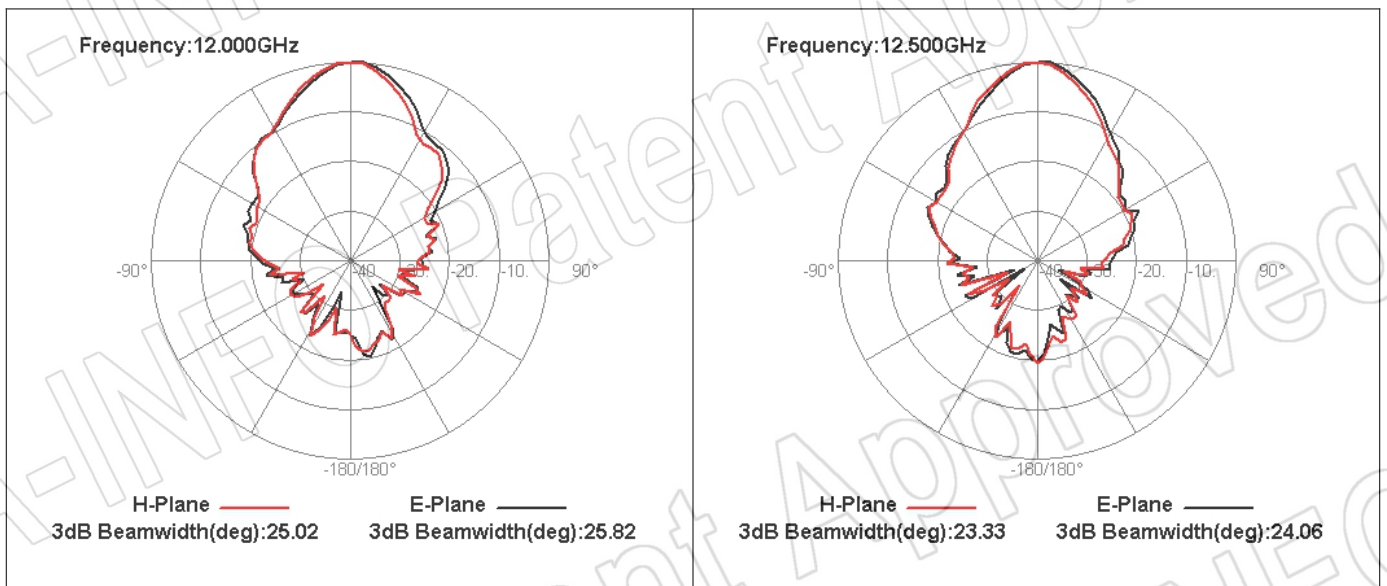
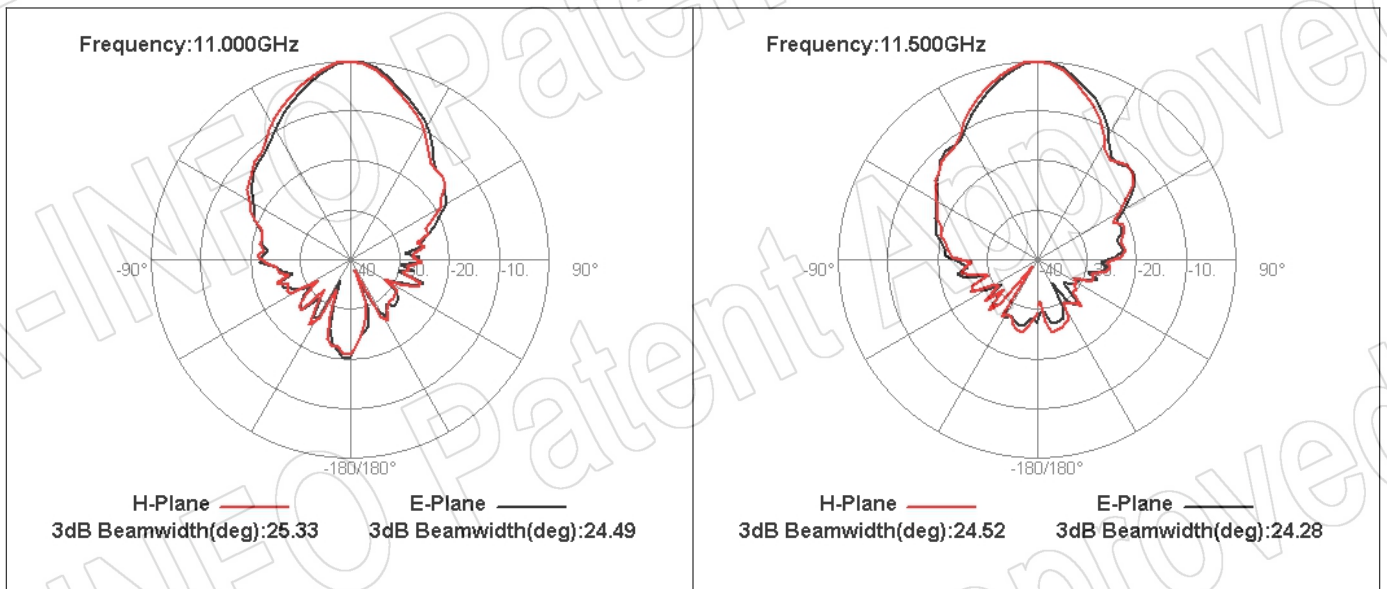
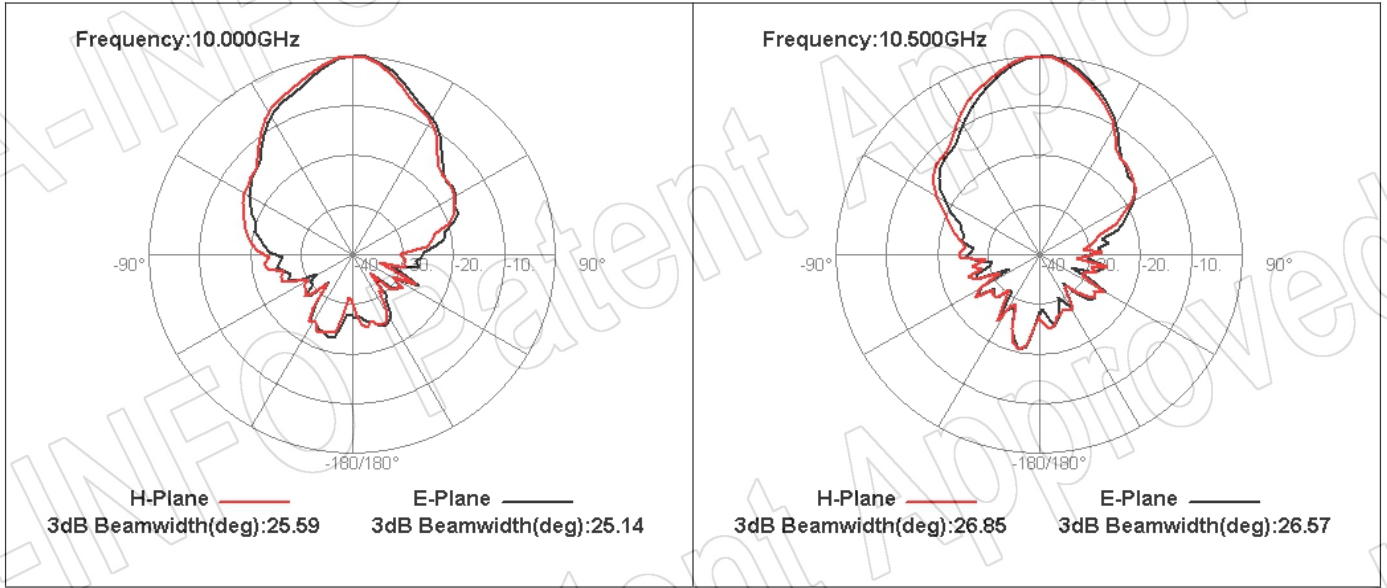


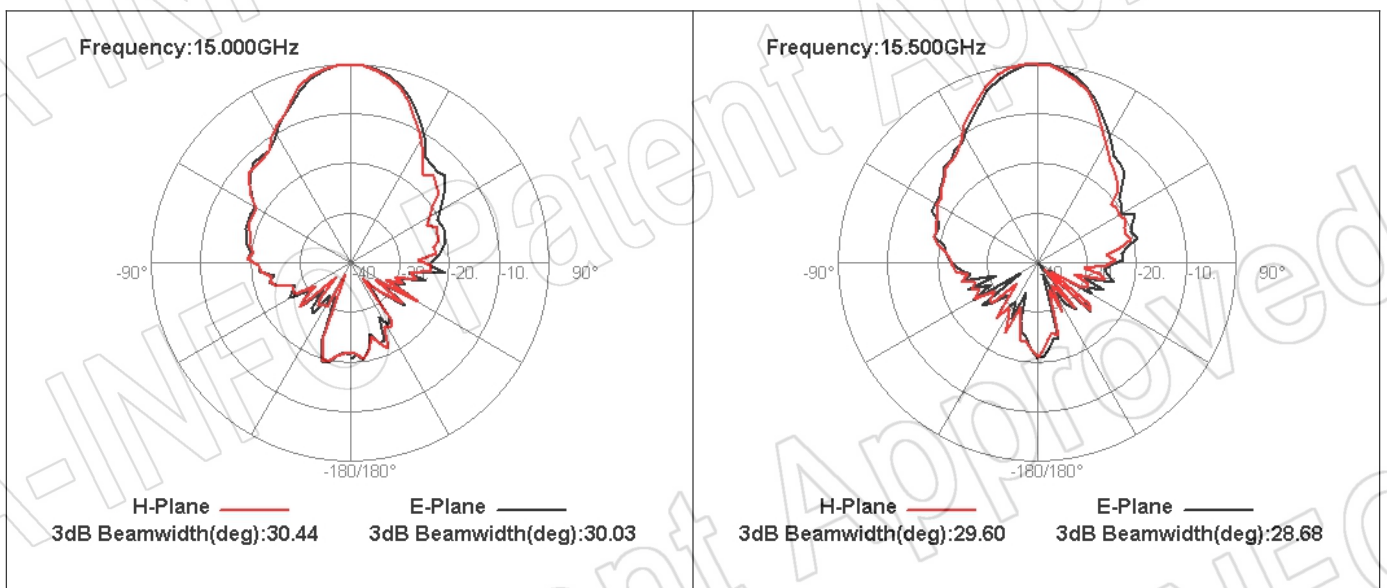
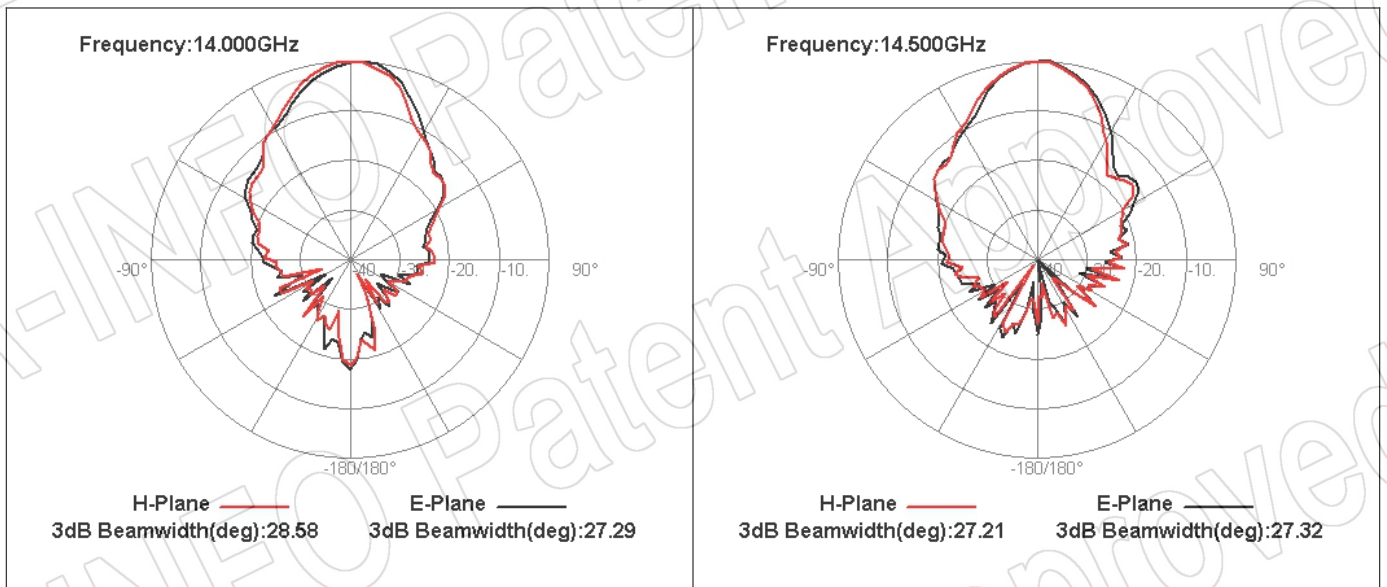
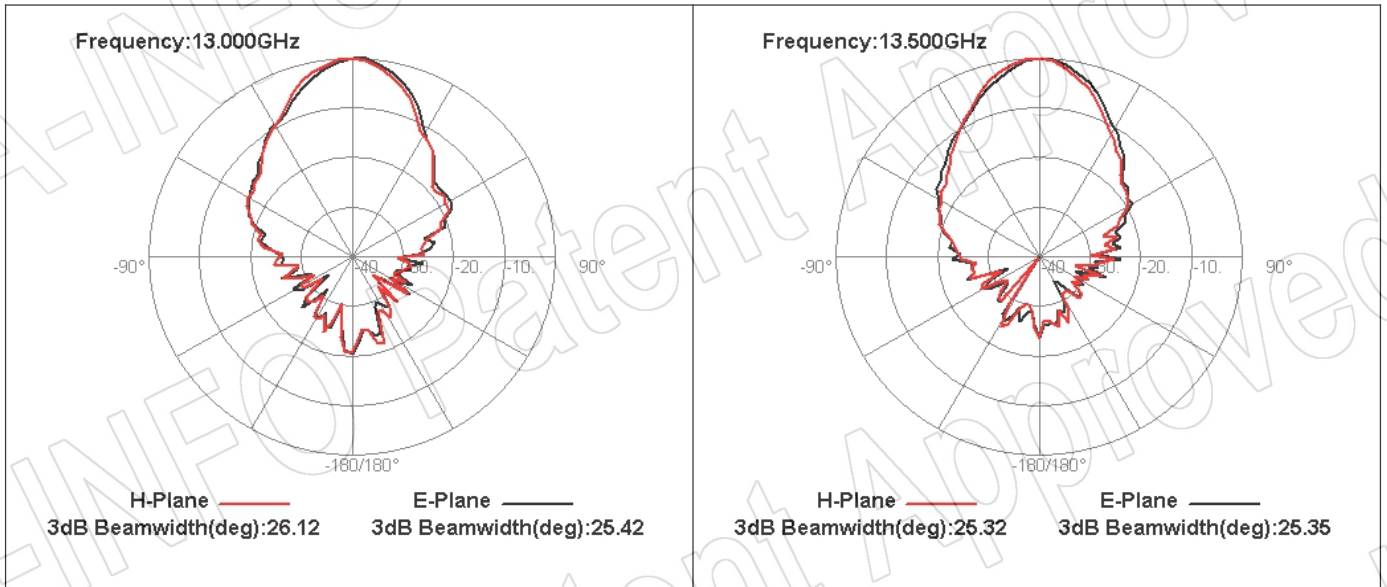
5. Pattern

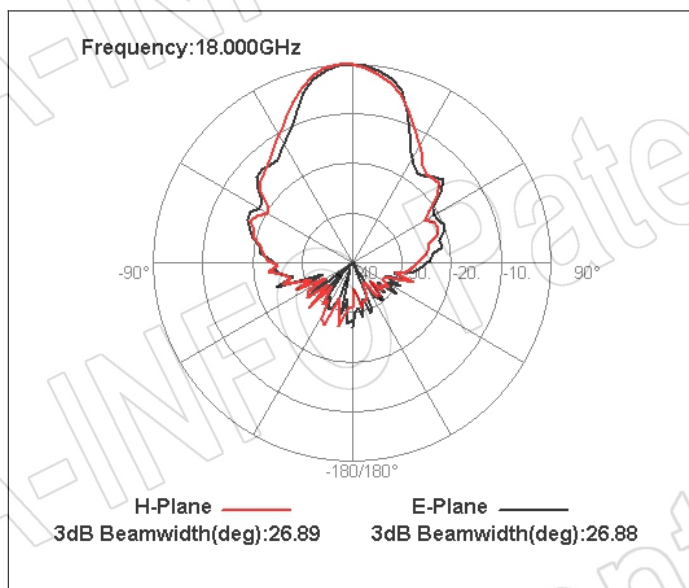
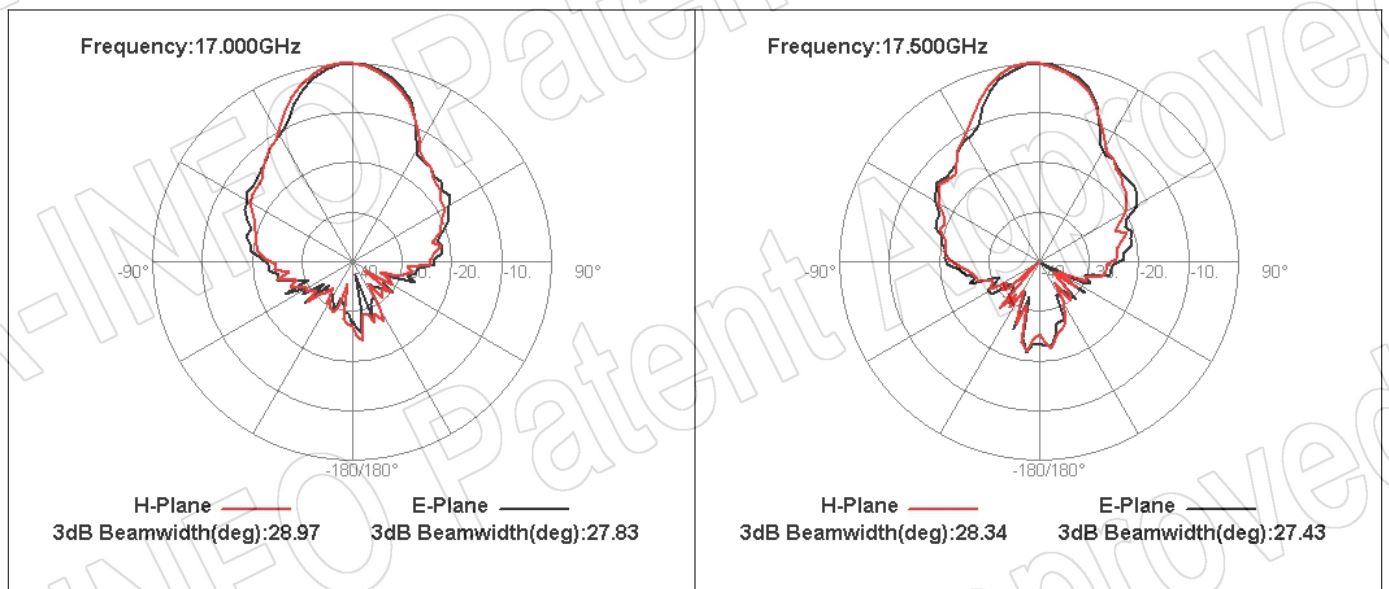
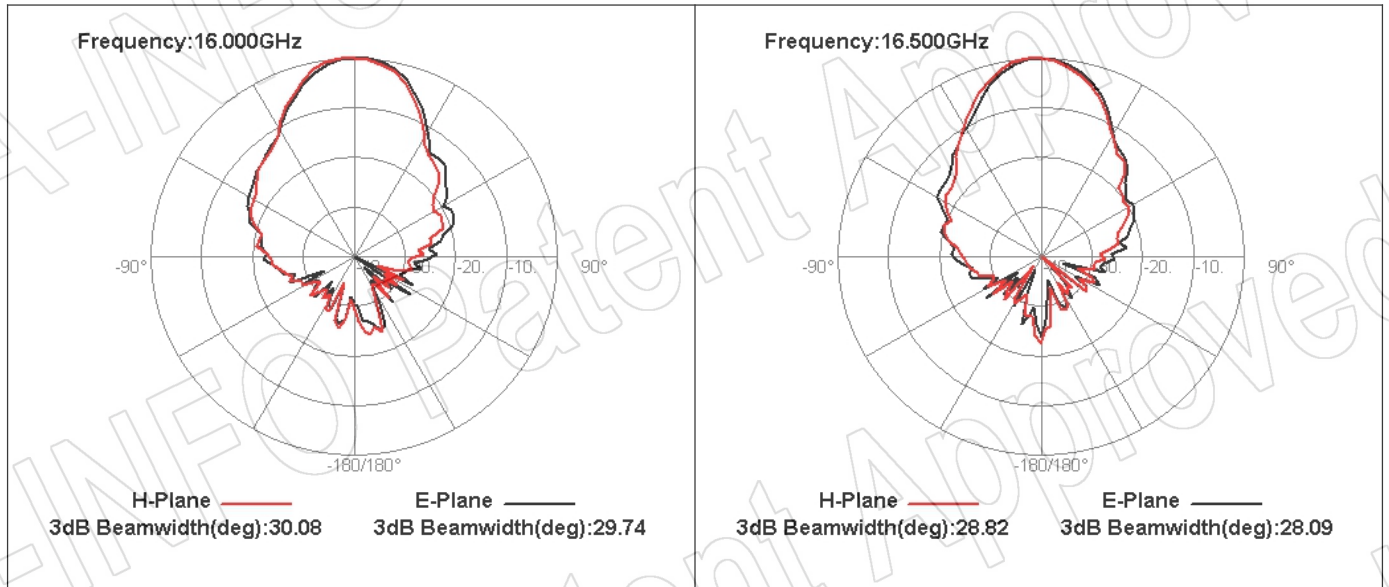
LHCP











RHCP

